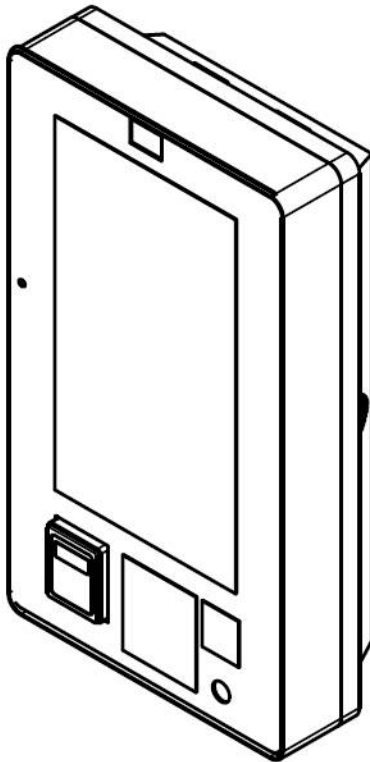




E55 Plus Installation Guide



E55 Plus Installation guide

© 2020 Wei Long Electronics Engineering. All rights reserved.

Version

April 2020, Ver1.0.0

Published by

伟龙电子工程(马)有限公司

WEI LONG ELECTRONIC ENGINEERING (M) SDN BHD,

Iskandar Puteri, Johor, Malaysia.

Target Audience

Dealer, Agent, System Integrator, Buyer, Installer, Contractor.

Disclaimer

The document for general information only, in subject to any prior revise from time to time and will be without prior notice. Wei Long hold no responsibility on any errors or inaccuracies that may appear in this manual.

Safety Declaration

Wei Long declines any responsibility on failure, injury or death due to improper use or use other than the use of what product is intended or due to negligence on Good Workmanship when installing or handling this product.

Contact us

伟龙电子工程（马）有限公司

WEI LONG ELECTRONIC ENGINEERING (M) SDN BHD

9, Jalan SILC 2/19,

79200 Iskandar Puteri,

Johor, Malaysia.

Tel: 07-5852700

Email: malaysia@weilongelectronics.com

Contents

Introduction.....	1
Site prerequisite.....	1
Physical Installation.....	6
Tool list.....	6
List of Enclosed Accessories.....	7
On wall cabling.....	7
Install the Kiosk.....	Error! Bookmark not defined.
Attaching AC Power.....	10
Attaching LAN Network.....	11
Connect the Intercom.....	11
Analog Intercom Connection.....	11
Dimension.....	13
Block Diagram.....	14
Technical data.....	16
Remarks.....	17

Introduction

- This guide is intended for the installation team on-site. It serves as a basis for the execution/processing of the installation of one/multiple kiosk system(s) E55 Plus.
- All the steps for installation must be done before operating the kiosk.
- Wei Long Electronics Engineering technical support can be reached on:

wlmy.support@weilongelectronics.com or XXX-XXXXXXX

Site prerequisite

Reasonable location must be selected to install E55 Plus kiosk:

- The installation site must have the space for the E55 Plus Kiosk enclosure. Dimensions are: 446 mm x 197 mm x 793 mm (W x L x H) with weight of XX kg
- The installation of E55 Plus is by wall mounting, suitable wall surface required.
- Visible location from parking customer. If not possible, must aid customer with sign pointing to the kiosk.
- Must not near any hazard and water source (eg: High Voltage, Flammable material, Bomba water hose, Water dispenser, etc)
- E55 Plus kiosk is non water resistant, therefore, if you are installing outside, please install an awning or roof over the Kiosk to protect it from rain, inclement weather and to aid screen visibility in direct sun light.
- Must follow wall and floor clearance for maintenance and operation work as Figure 1.1 and Figure 1.2.

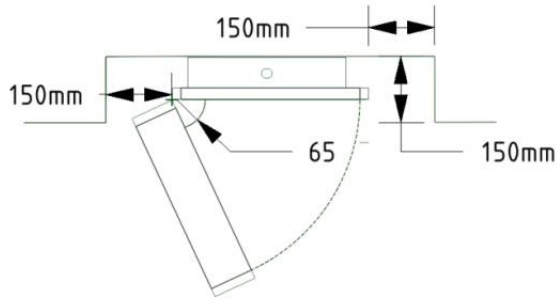


Figure 1.1 Wall recess from top view

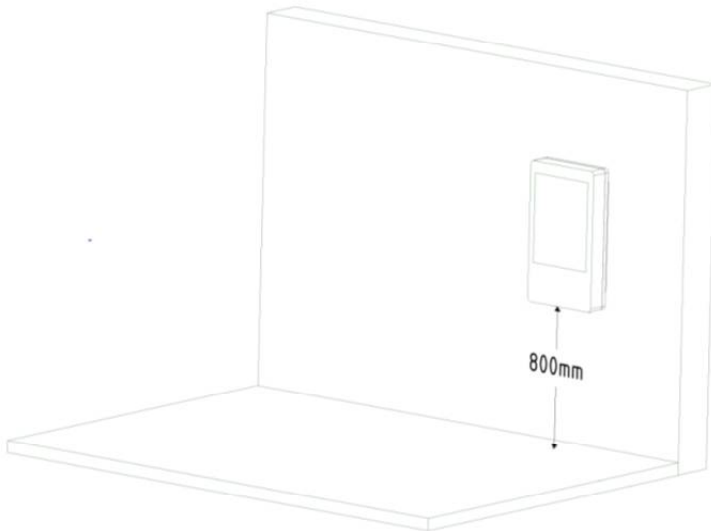


Figure 1.2 Floor clearance

- Must have wall cabling with:
 - Incoming local LAN network coverage (CAT5e or CAT6) with minimum speed of 100Mbps.
 - Incoming AC power (240VAC 50/60Hz) from local sub-board with supply isolators (e.g. MCBs or fuses)
 - An incoming analog intercom system connection if required.
- Must define the cabling path:
 - On the wall. Must guide to the cable hole on top of E55 kiosk (see Figure 1.3)

IMPORTANT!

Cable on the wall must be covered (eg piping, conduit) to prevent damage.

- From the wall. Must guide the cable into cable hole area at the back side of E55 Plus (See Figure 1.3 and 1.4).

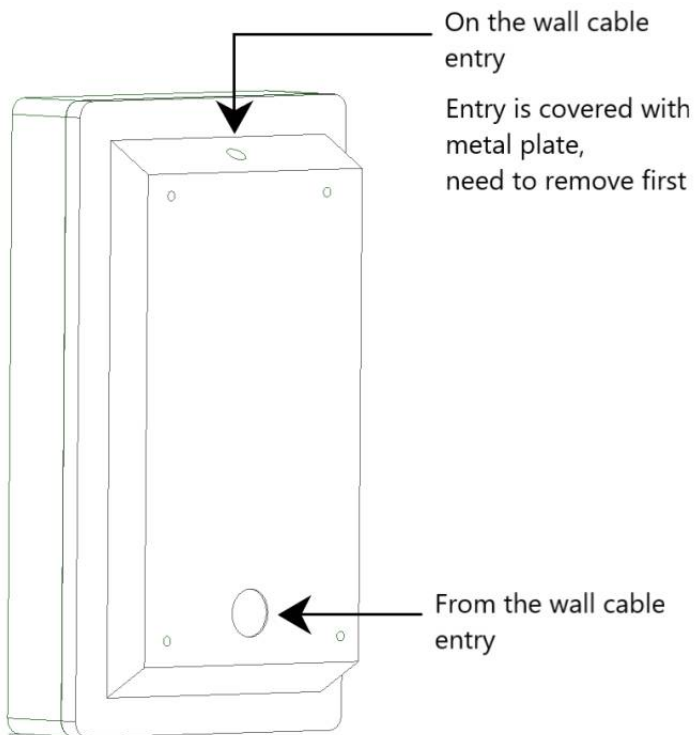


Figure 1.3 Cable entry into the E55 Plus Kiosk.

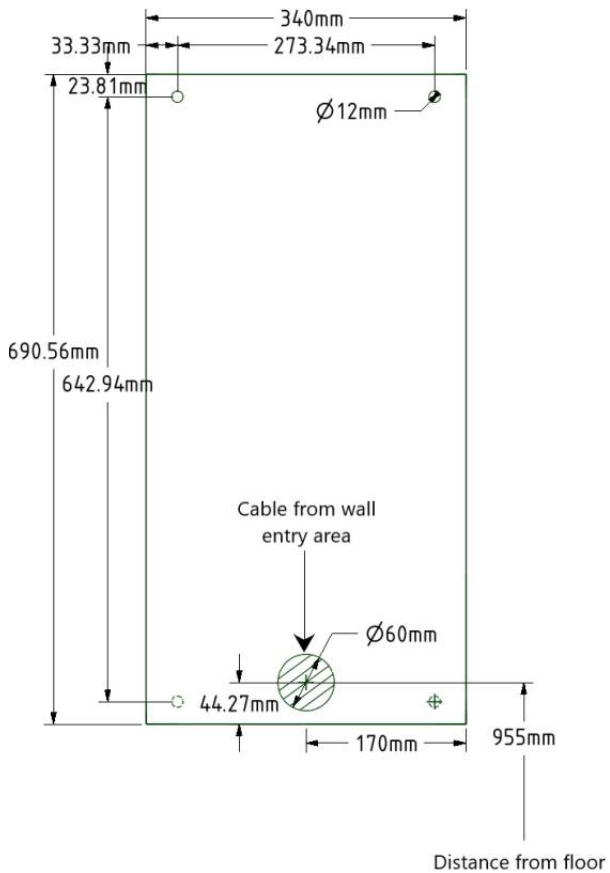


Figure 1.4 E55 Plus wall base dimension

IMPORTANT!

Please refer single diagram for the parking system cabling. The diagram can be request from the Dealer/Agent/System Integrator.

Always confirm with Professional Civil and Structure engineer or appointed building consultant before proceeding with beam hacking or any civil and electrical work.

Wei Long recommend having spare LAN network cable when installing underground cable.

After the assessment and evaluation of the structural conditions on-site, the installation must be conducted by a trained professional (minimum 2 person).

Physical Installation

Tool list

In addition to the standard tools, the following tools are required to setup the E55 Plus Kiosk:

- Hammer drill with stone drill XX,
- Bolt wrench XX mm (for the body mounting)
- Network cable tester
- RJ45 Crimper
- Hammer

List of Enclosed Accessories

Here is the list of accessories together in the packaging:



Figure 2.1 Steel Masonry Anchor bolt set

1. 4 x Steel Masonry Anchor bolt set (XX mm drill hole / XX mm deep)
2. 1 x Wall mount template
3. 4 x Double sided tape
4. 2 x Set of key

On Wall Cabling

Cable entry for on wall cabling is covered with metal plate(See Figure 1.3). By using hammer, knock the cover until it detach.

Install the Kiosk

Follow this procedure to install the E55 Plus Kiosk:

1. Remove the packaging from the kiosk.
2. Look for the mini package containing manual, accessories and key enclosed together with the terminal packaging.

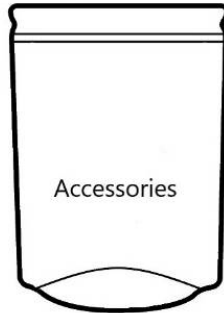


Figure 2.2: Mini package

3. Take wall mount template (Figure 2.3) and stick it by using double sided tape on the wall. Make sure the side position of kiosk, floor distance and cable hole area is correct.
4. Mark the location for drill holes based on the template. Remove the mount template.
5. Create the drill holes on wall and install the steel anchors. 4 fastening points is required. Remove the mount template.
6. Lift the device into the fastening points on the wall.
7. Guide the power cable and the LAN cable to the cable entry inside of the housing.
8. Fasten kiosk body to the wall with the washers and nuts provided.

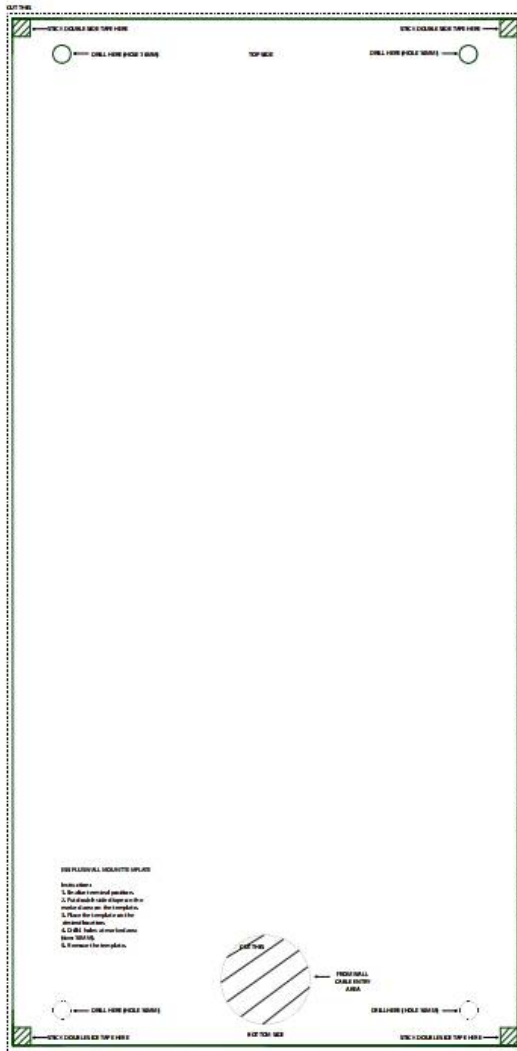


Figure 2.3: E55 Plus Wall mount template.

Attaching AC Power

SAFETY WARNING!

To avoid electrocution, shut down the incoming AC power to the kiosk while doing installation!

E55 Plus Kiosk require live wire, ground wire and earth wire from incoming AC power. To attach incoming AC power:

1. Guide the AC power cable to the power connector.

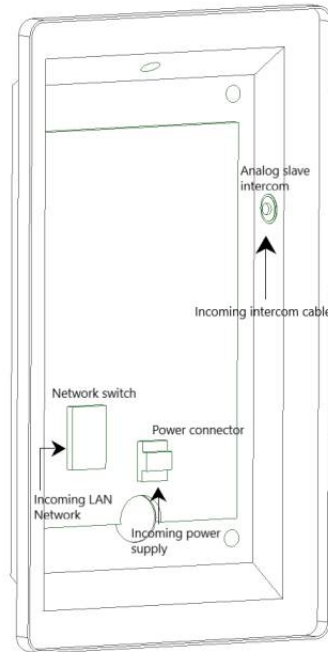


Figure 2.4: Location of power connector, network switch and analog intercom slave in E55 Plus Kiosk.

2. Insert the power supply cable in accordance with the markings.

Attaching LAN Network

LAN network cable will be attached to the network switch inside the kiosk. To attach LAN network:

1. Guide the LAN network cable to the network switch. Use the cable conduit passage until reach the network switch (Figure 2.4).
2. Clamp the network cable head. Must use the 8P8C Way Male Modular Plug Head.
3. Plug-in the network cable into available port at the network switch.

IMPORTANT:

Make sure to check the network connection by using network cable tester.

Connect the intercom

Depending on the specification of the E55 Plus kiosk, intercom in the E55 Plus kiosk can be either analogue type or digital type. For digital intercom, no extra installation required. Please refer to the seller/distributor for the product verification.

Analogue intercom connection

For analogue intercom system, E55 Plus will be equipped with slave analog intercom. To connect the analog intercom:

1. Guide the analog intercom cable from base to the slave intercom. Use the cable conduit passage until reach the slave intercom (See Figure 2.4).
2. Connect analogue intercom cable in accordance with the markings.

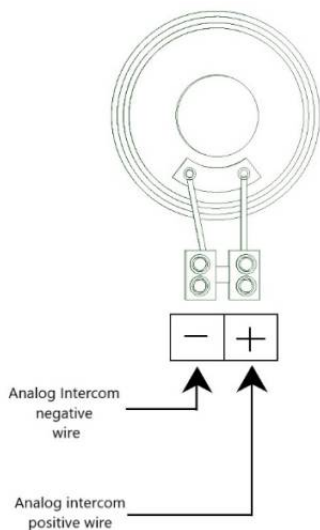
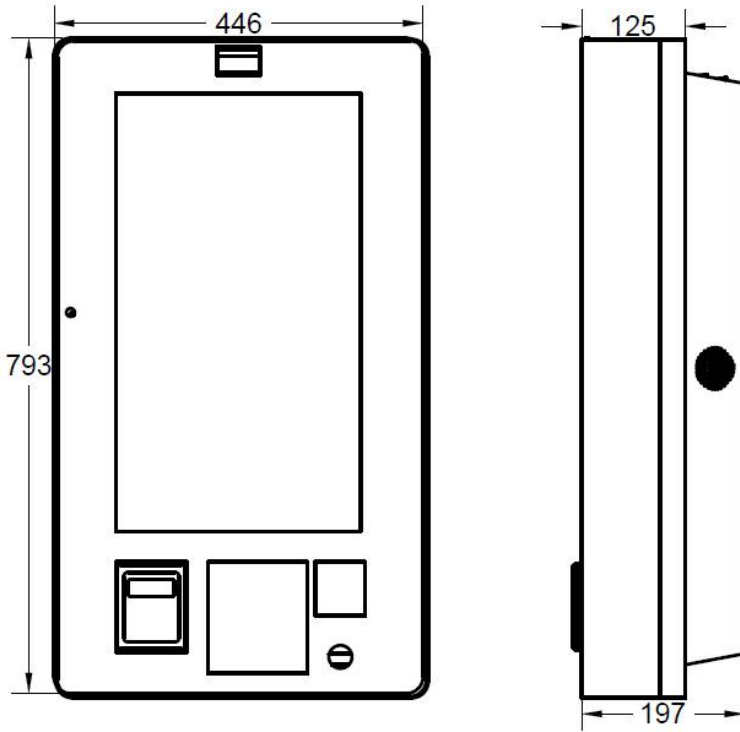


Figure 2.13: Slave analog intercom connection markings.

Dimension



Block Diagram

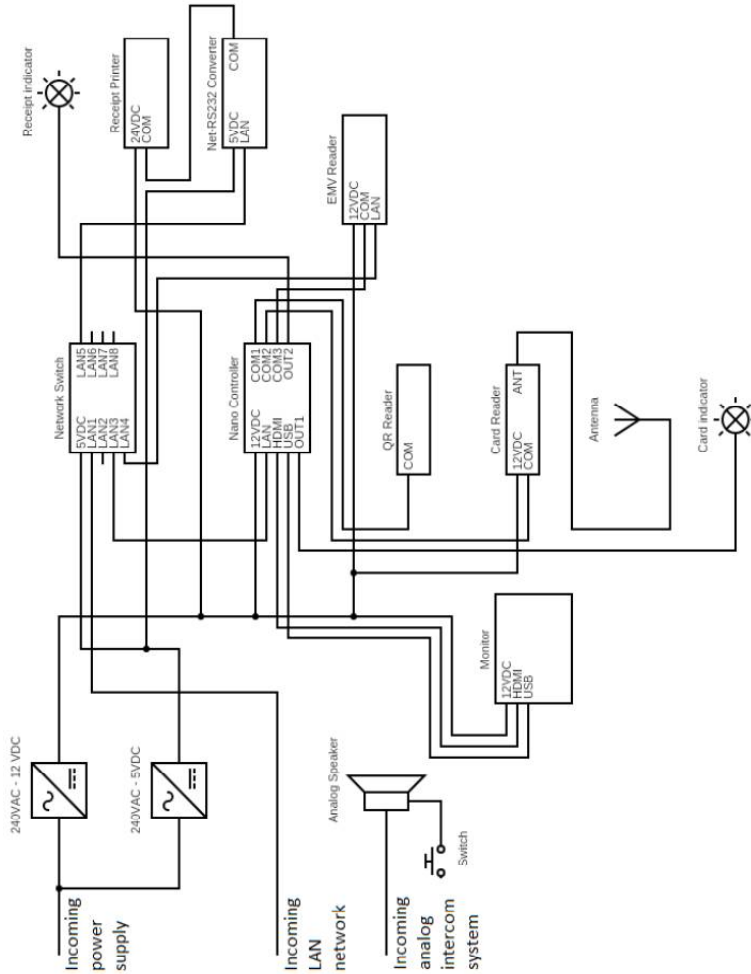


Figure 3.1: E55 Plus block diagram with analog intercom

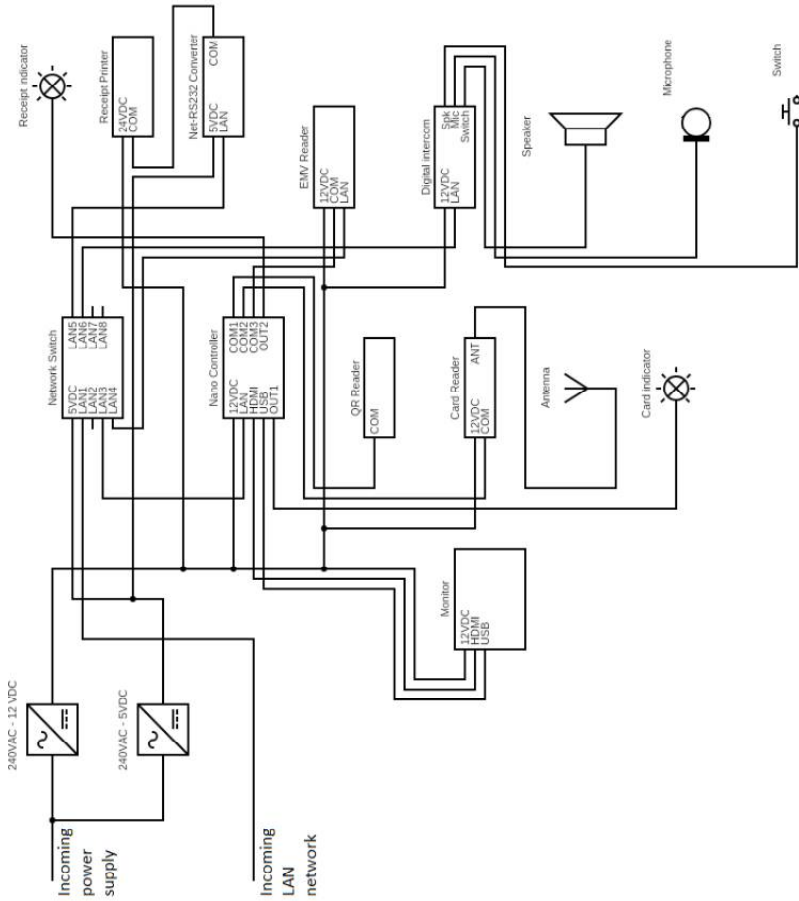


Figure 3.2: E55 Plus block diagram with digital intercom

Technical data

Dimension	446 mm x 197 mm x 793 mm
Weight	XX KG
Operating Voltage	220 - 240VAC / 50-60 Hz
Rated Current	XX A
Ambient temperature	5° C – 65° C
Protection Class	IPXX
Card reader	Mifare, Barcode, EMV, TnGo
Display	24 Inch Full Color LCD
Warranty	1-year part warranty

Remarks